

# 2.4 mm RF CONNECTOR

50GHz対応RF同軸コネクタ

外層の厚みを増し、コンタクトピンの強度を高めた堅牢なデザイン。  
変換アダプタから基板実装のアダプタまで多彩なラインナップ。

Impedance	50 ohm
Frequency Range	Up to 50 GHz
Durability	500 cycles Min.



## 2.4 mm RF CONNECTOR CONVERSION ADAPTER PLUG TO PLUG



VSWR (DC~50GHz) : 1.2 Max.

Insulation resistance : 5,000M  $\Omega$  Min.

Dielectric withstanding voltage : 500 Vrms Min.

Center contact resistance : 4 m $\Omega$  Max.

Outer contact resistance : 2.5 m $\Omega$  Max.

Durability : 500 cycles Min.

## 2.4 mm RF CONNECTOR CONVERSION ADAPTER JACK TO JACK



VSWR (DC~50GHz) : 1.2 Max.

Insulation resistance : 5,000M  $\Omega$  Min.

Dielectric withstanding voltage : 500 Vrms Min.

Center contact resistance : 4 m $\Omega$  Max.

Outer contact resistance : 2.5 m $\Omega$  Max.

Durability : 500 cycle Min.

## 2.4 mm RF CONNECTOR CONVERSION ADAPTER PLUG TO JACK



VSWR (DC~50GHz) : 1.2 Max.

Insulation resistance : 5,000M  $\Omega$  Min.

Dielectric withstanding voltage : 500 Vrms Min.

Center contact resistance : 4 m $\Omega$  Max.

Outer contact resistance : 2.5 m $\Omega$  Max.

Durability : 500 cycle Min.

# 2.4 mm RF CONNECTOR

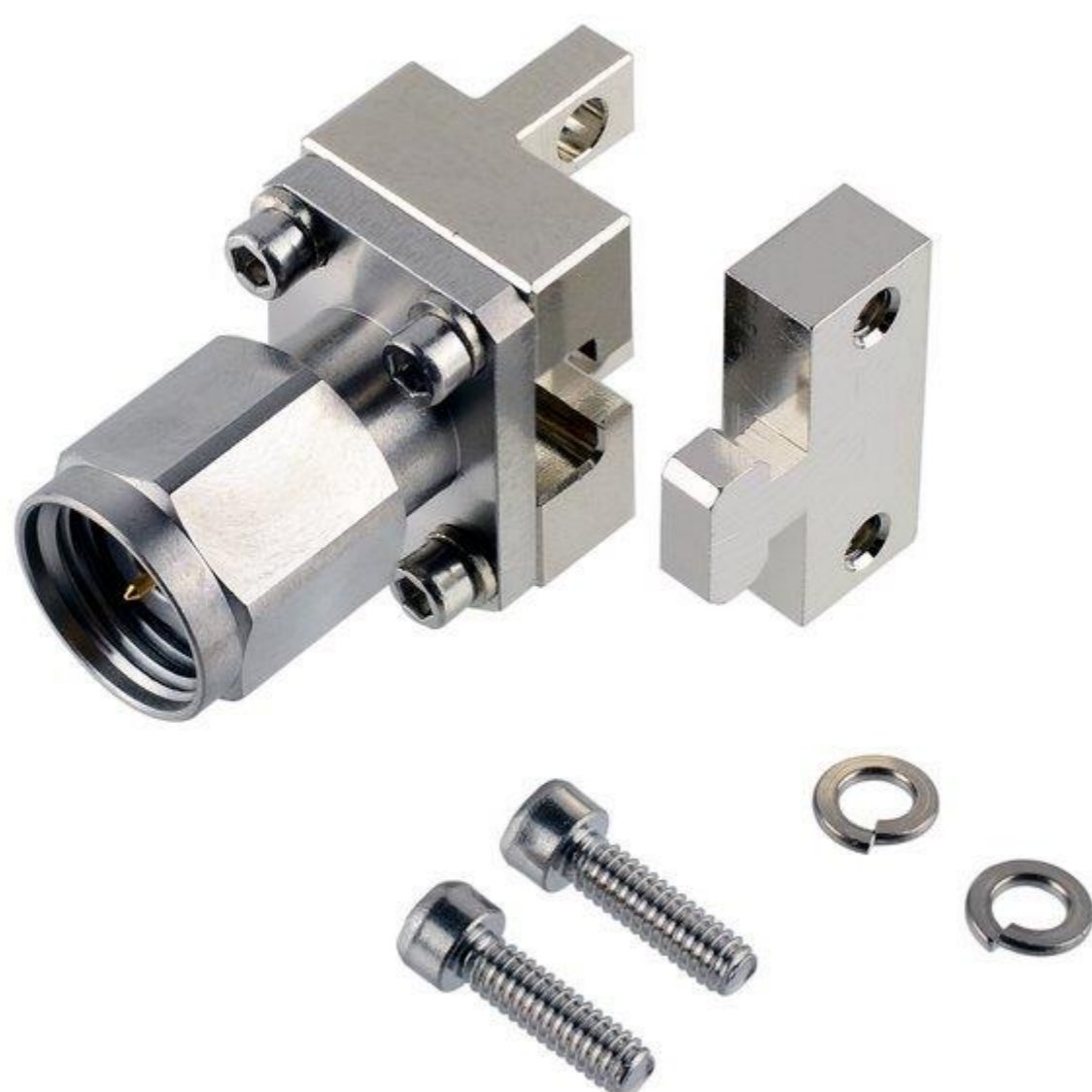
50GHz対応RF同軸コネクタ

外層の厚みを増し、コンタクトピンの強度を高めた堅牢なデザイン。  
変換アダプタから基板実装のアダプタまで多彩なラインナップ。

Impedance	50 ohm
Frequency Range	Up to 50 GHz
Durability	500 cycles Min.



## 2.4 mm RF CONNECTOR END LAUNCH ADAPTER FOR PCB (PLUG)



VSWR (DC~50GHz) : 1.5 Max.  
Insulation resistance : 5,000M  $\Omega$  Min.  
Dielectric withstanding voltage : 500 Vrms Min.  
Center contact resistance : 6 m $\Omega$  Max.  
Outer contact resistance : 2.5 m $\Omega$  Max.

Durability : 500 cycles Min.

## 2.4 mm RF CONNECTOR END LAUNCH ADAPTER FOR PCB (JACK)



VSWR (DC~50GHz) : 1.5 Max.  
Insulation resistance : 5,000M  $\Omega$  Min.  
Dielectric withstanding voltage : 500 Vrms Min.  
Center contact resistance : 6 m $\Omega$  Max.  
Outer contact resistance : 2.5 m $\Omega$  Max.

Durability : 500 cycles Min.

## 2.4 mm RF CONNECTOR ADAPTER FOR PCB (INNER LAYER)



VSWR (DC~50GHz) : 1.5 Max.  
Insulation resistance : 5,000M  $\Omega$  Min.  
Dielectric withstanding voltage : 500 Vrms Min.  
Center contact resistance : 4 m $\Omega$  Max.  
Outer contact resistance : 2.5 m $\Omega$  Max.

Durability : 500 cycles Min.

# 2.4 mm RF CONNECTOR

50GHz対応RF同軸コネクタ

外層の厚みを増し、コンタクトピンの強度を高めた堅牢なデザイン。  
変換アダプタから基板実装のアダプタまで多彩なラインナップ。

Impedance	50 ohm
Frequency Range	Up to 50 GHz
Durability	500 cycles Min.



## 2.4 mm RF CONNECTOR ADAPTER FOR PCB (OUTER LAYER)



VSWR (DC~50GHz) : 1.5 Max.

Insulation resistance : 5,000M  $\Omega$  Min.

Dielectric withstanding voltage : 500 Vrms Min.

Center contact resistance : 4 m $\Omega$  Max.

Outer contact resistance : 2.5 m $\Omega$  Max.

Durability : 500 cycles Min.

## 2.4 mm RF CONNECTOR TERMINATION ADAPTER (PLUG) (Nonreflective terminator)



Return loss : -20 dB Max.

Durability : 500 cycles Min.

## 2.4 mm RF CONNECTOR TERMINATION ADAPTER (JACK) (Nonreflective terminator)

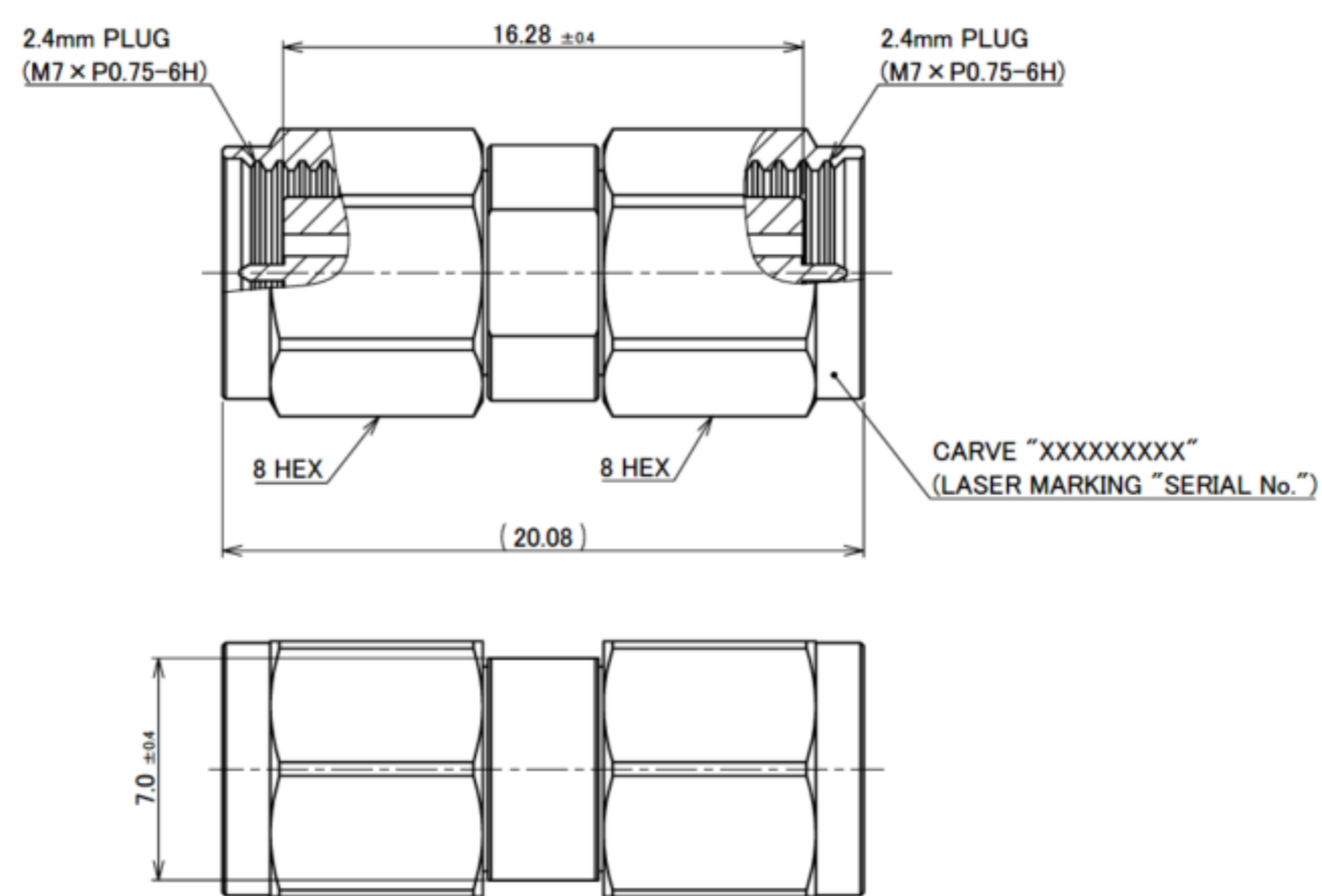


Return loss : -20 dB Max.

Durability : 500 cycles Min.

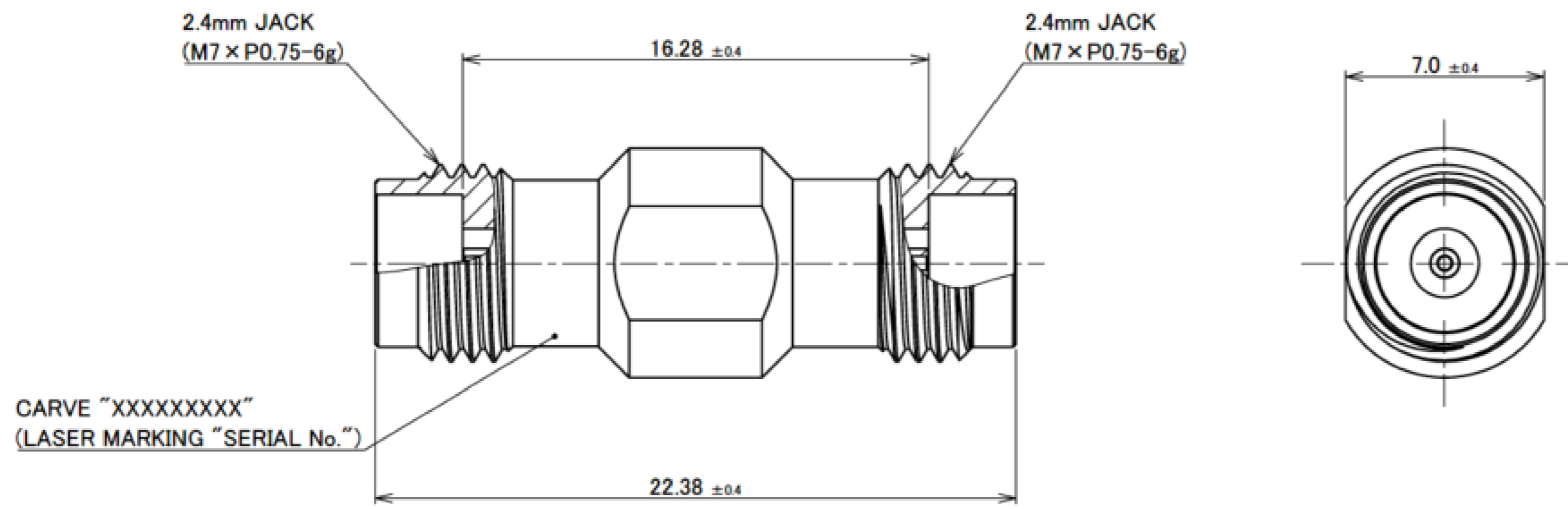
# Component Parts Details

Recommended P/N	50201-0001
PART NO.	REMARK
50201-0001	PLUG TO PLUG TYPE



7	SHELL	SUS	PASSIVATED
6	C RING	BERYLLIUM COPPER	-
5	GASKET	SILICONE	RED
4	BODY	SUS	PASSIVATED
3	CONTACT PIN	BERYLLIUM COPPER	Au OVER Ni OVER Cu
2	INSULATOR	ULTEM 1000	AMBER
1	BODY	SUS	PASSIVATED
NO.	DESCRIPTION	MATERIAL	FINISH , REMARKS

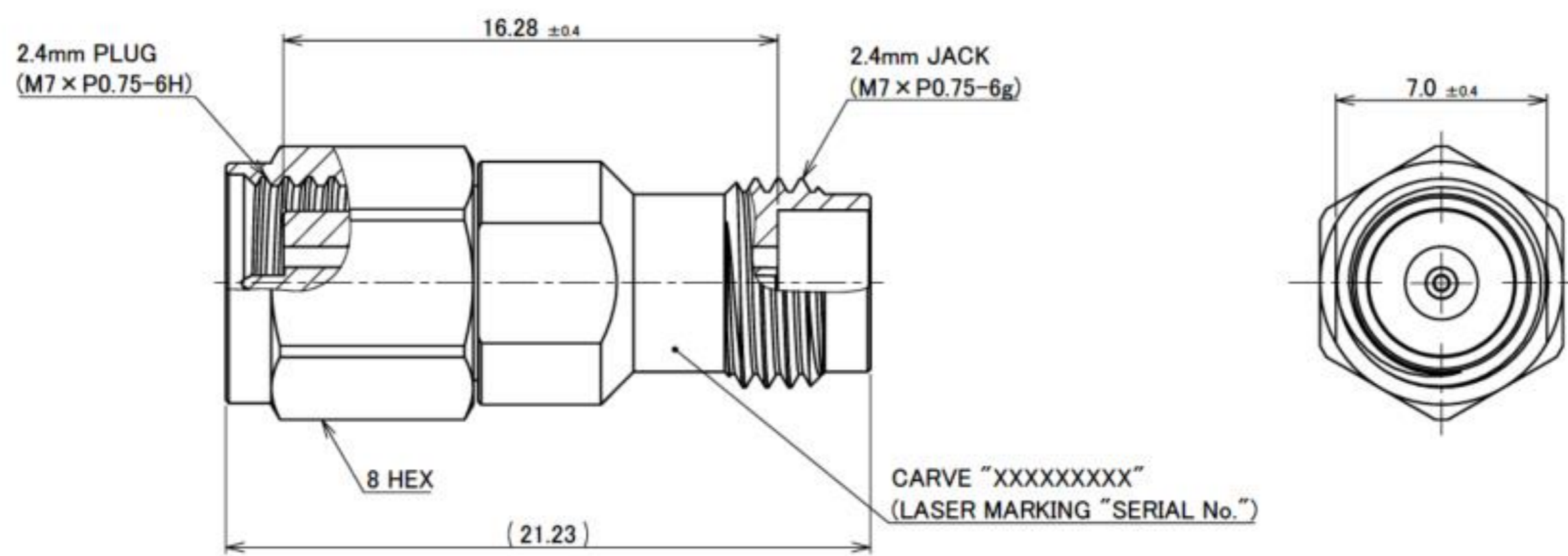
Recommended P/N		50201-JJ01
PART NO.	REMARK	
50201-JJ01	JACK TO JACK TYPE	



4	BODY	SUS	PASSIVATED
3	CONTACT PIN	BERYLLIUM COPPER	Au OVER Ni OVER Cu
2	INSULATOR	ULTEM 1000	AMBER
1	BODY	SUS	PASSIVATED
NO.	DESCRIPTION	MATERIAL	FINISH , REMARKS

Rev.0

Recommended P/N		50201-0J01
PART NO.	REMARK	
50201-0J01	PLUG TO JACK TYPE	



7	SHELL	SUS	PASSIVATED
6	C RING	BERYLLIUM COPPER	-
5	GASKET	SILICONE	RED
4	BODY	SUS	PASSIVATED
3	CONTACT PIN	BERYLLIUM COPPER	Au OVER Ni OVER Cu
2	INSULATOR	ULTEM 1000	AMBER
1	BODY	SUS	PASSIVATED
NO.	DESCRIPTION	MATERIAL	FINISH , REMARKS

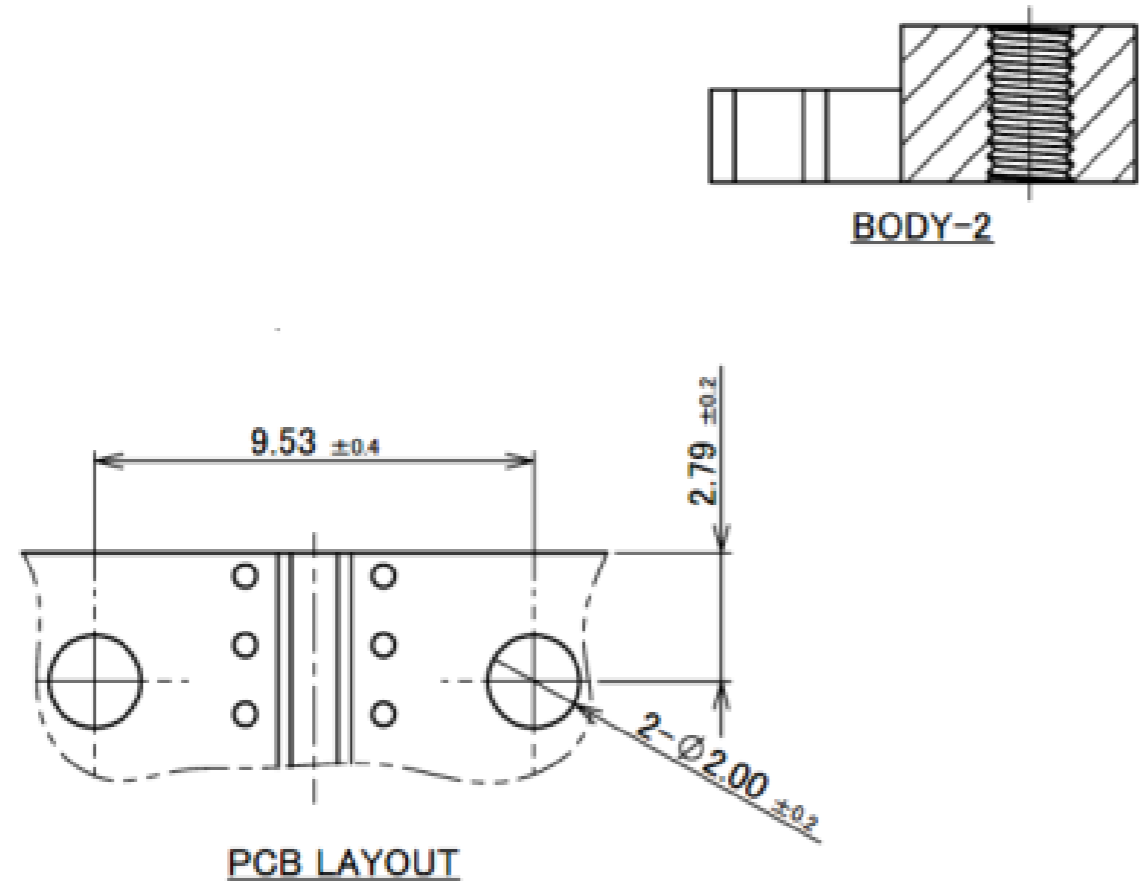
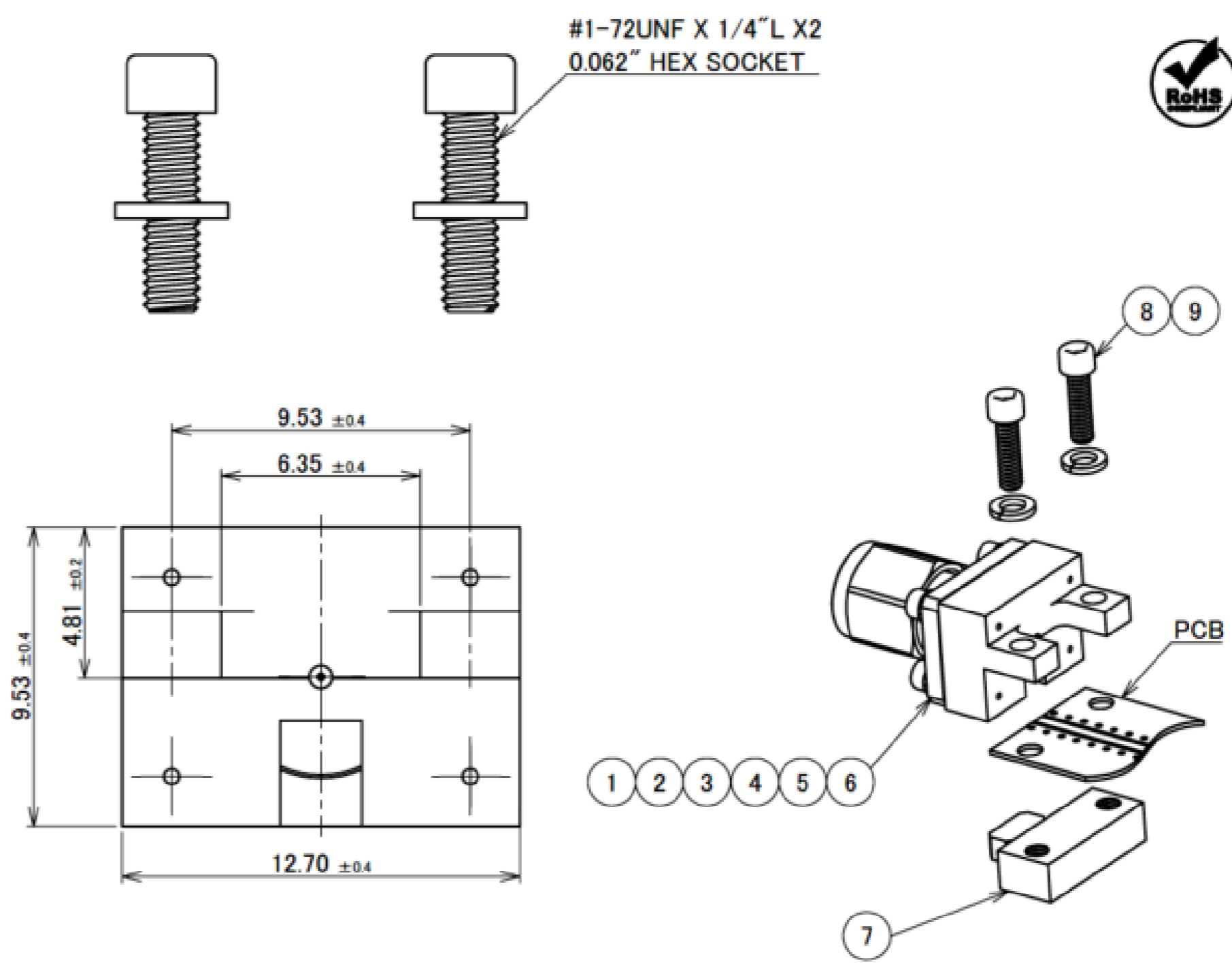
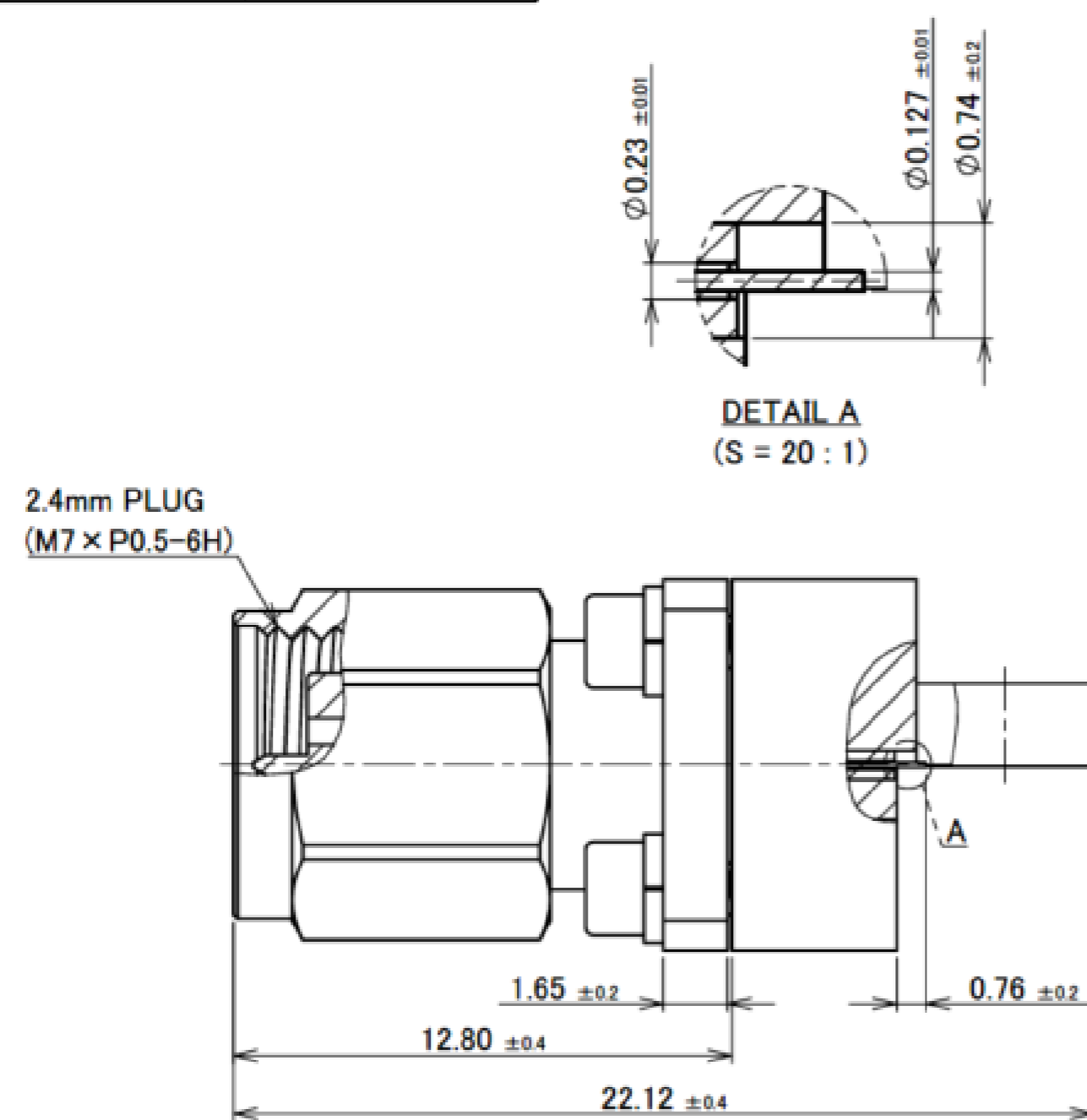
Rev.0

ITEMS	SPECIFICATION		
	50201-0001	50201-0J01	50201-JJ01
PART No.	50201-0001	50201-0J01	50201-JJ01
RATING FREQUENCY	DC ~ 50 GHz		
VSWR	1.2 MAX. AT DC ~ 50 GHz		
INNER CONTACT RESISTANCE	4.0mohm MAX.		
OUTER CONTACT RESISTANCE	2.5mohm MAX.		
INSULATION RESISTANCE	5000 Mohm MIN.		
DIELECTRIC WITHSTANDING VOLTAGE	AC 500 Vrms MIN. 1min		
DURABILITY	500 CYCLES		
PRODUCT SPECIFICATION	PRS-2706		
PACKING STANDARD	PST-21020		
APPEARANCE CRITERIA No.	QLS-A***	QLS-A***	QLS-A***

Rev.0

Recommended P/N 50202-0001

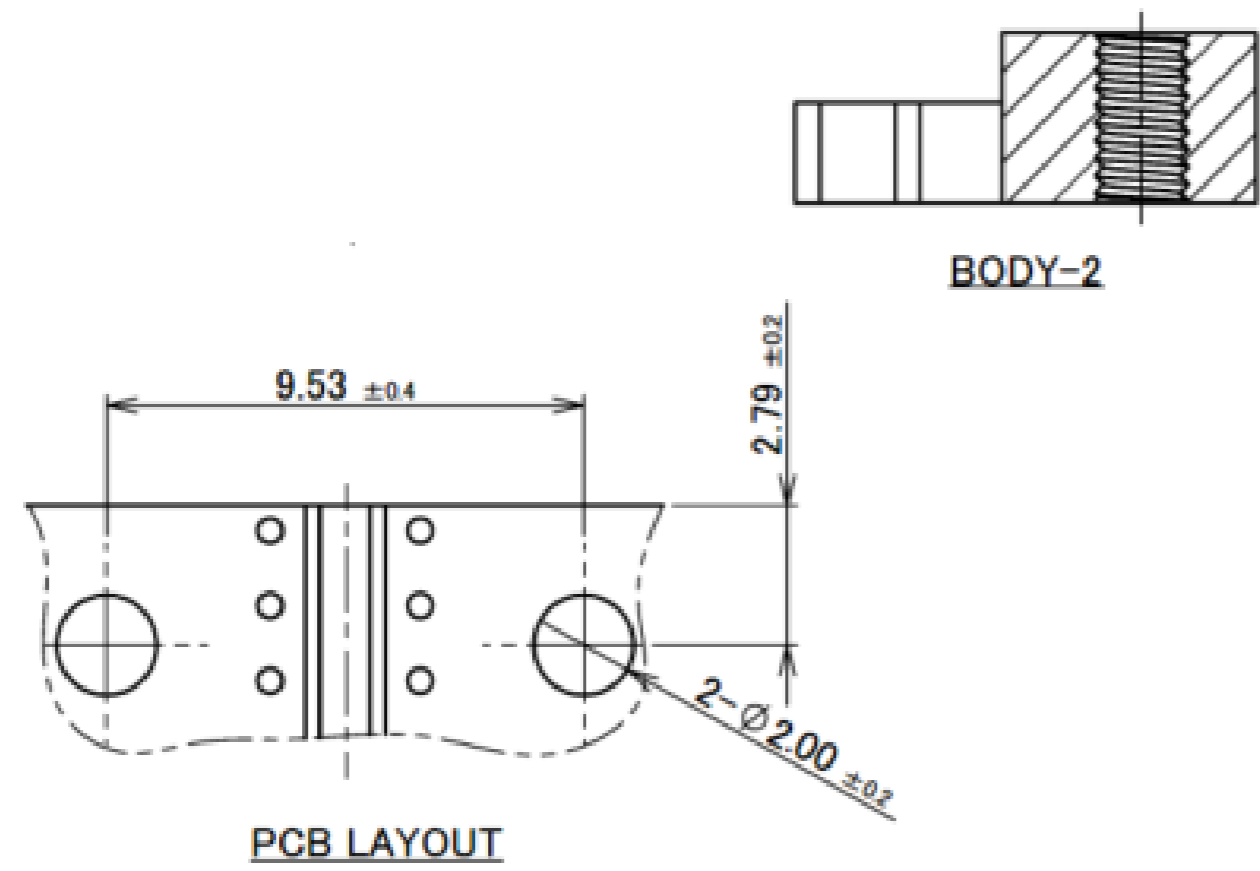
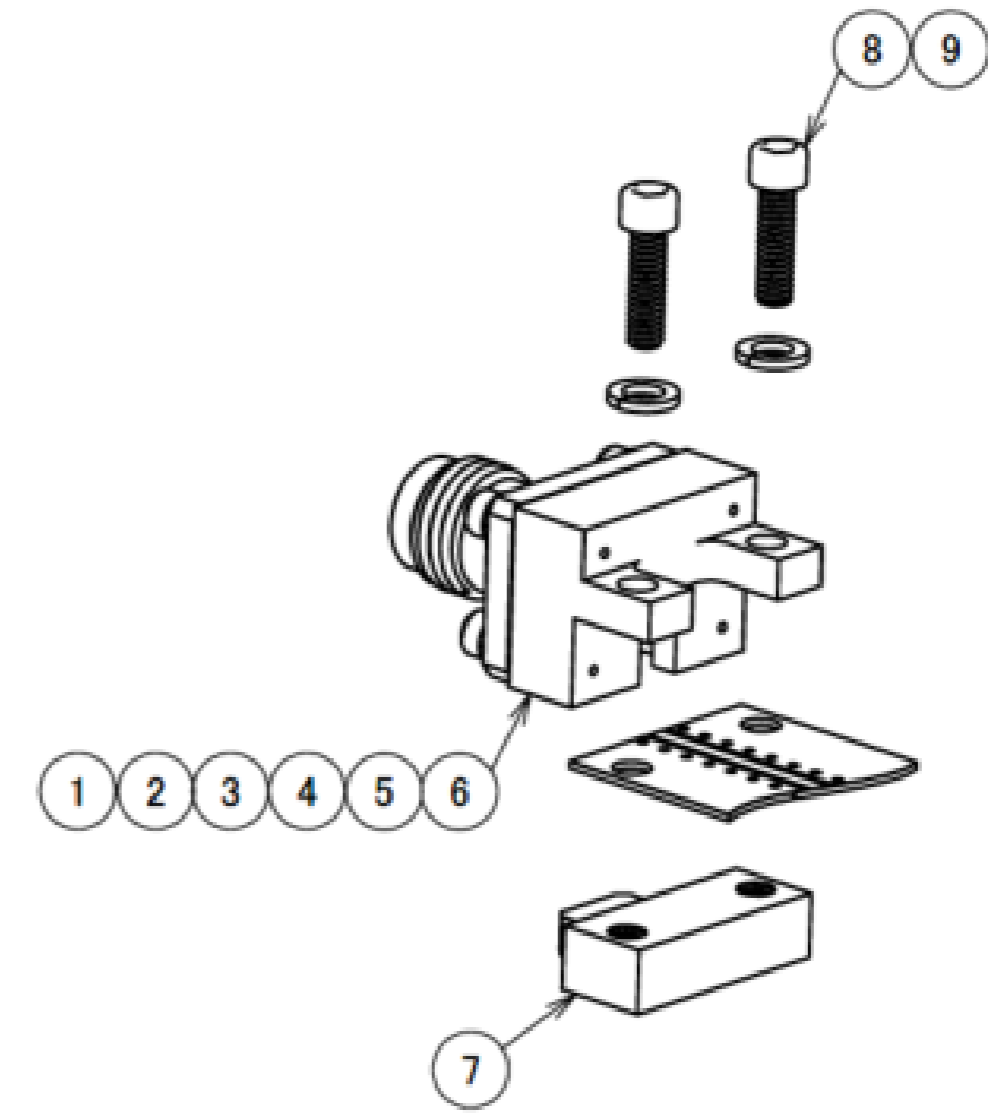
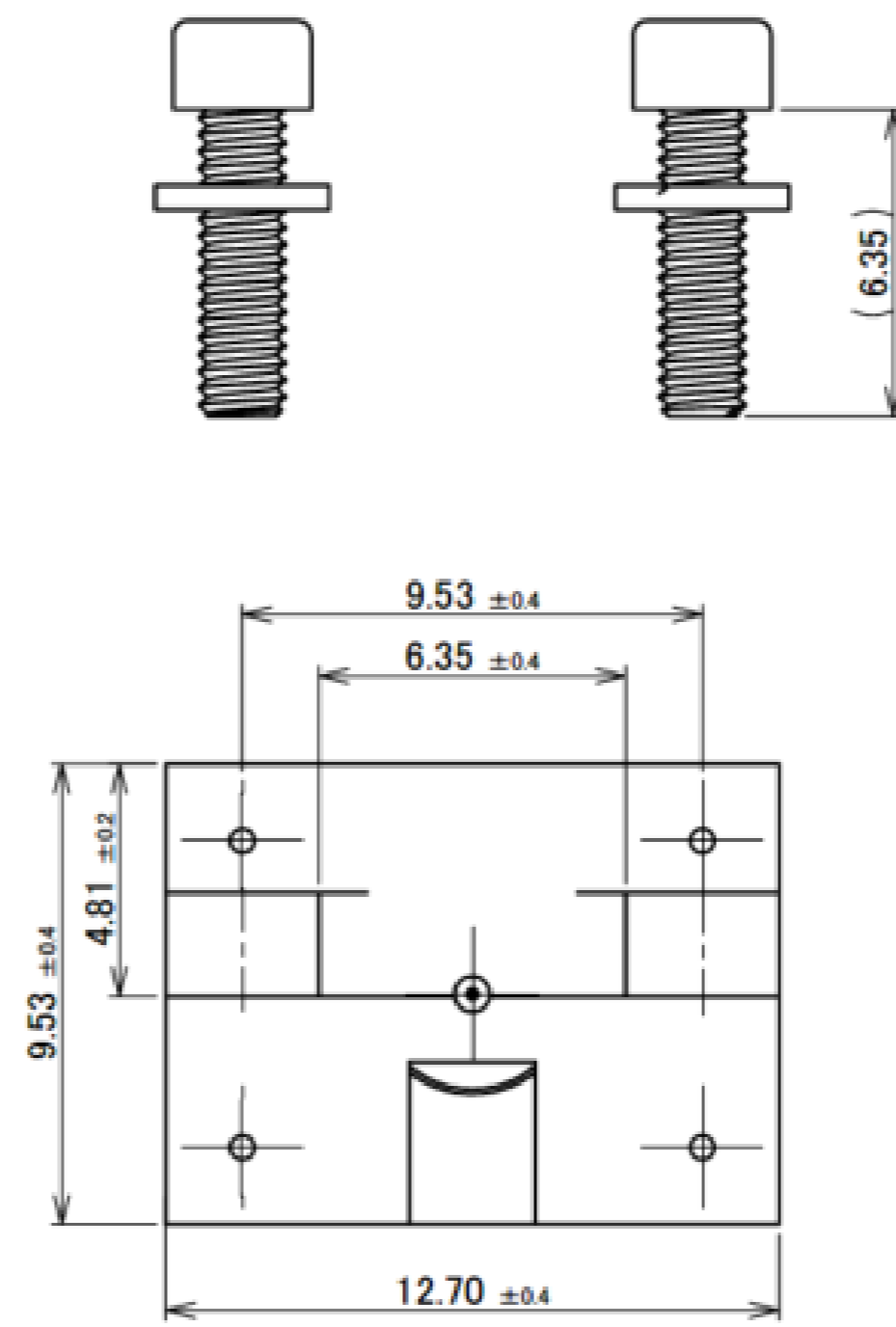
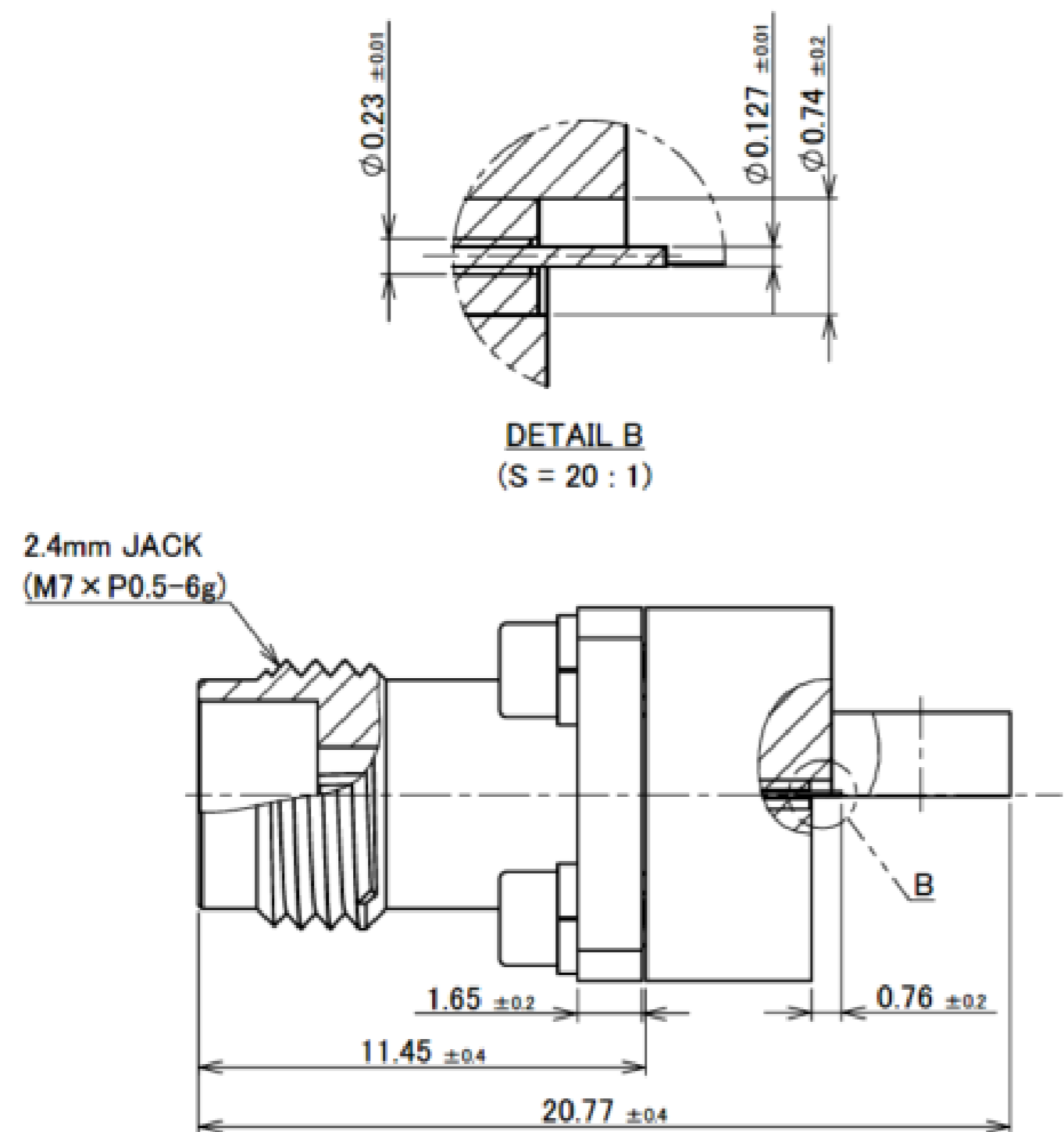
PART NO.	REMARK
50202-0001	PLUG TYPE



NO.	DESCRIPTION	MATERIAL	FINISH , REMARKS
9	BOLT	SUS	-
8	WASHER	SUS	-
7	BODY-2	BRASS	Ni OVER Cu
6	BOLT	SUS	-
5	WASHER	SUS	-
4	CONTACT PIN	BERYLLIUM COPPER	Au OVER Ni OVER Cu
3	INSULATOR	PTFE	WHITE
2	BODY-1	BRASS	Ni OVER Cu
1	CONNECTOR		

Rev.1

Recommended P/N	50202-J001
PART NO.	REMARK
50202-J001	JACK TYPE



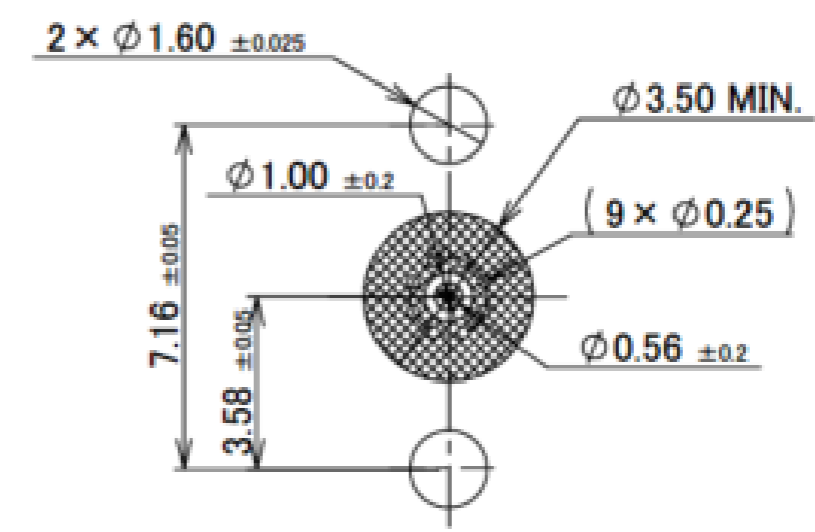
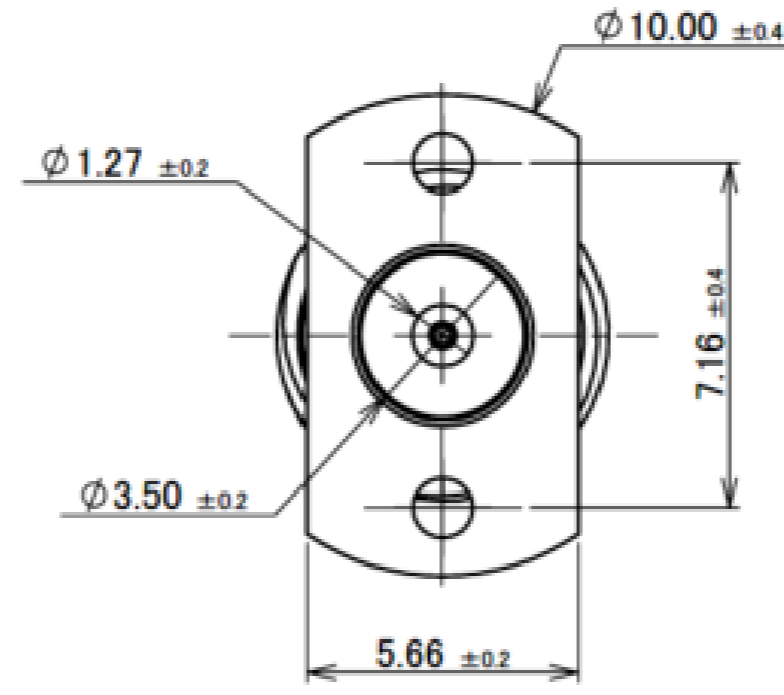
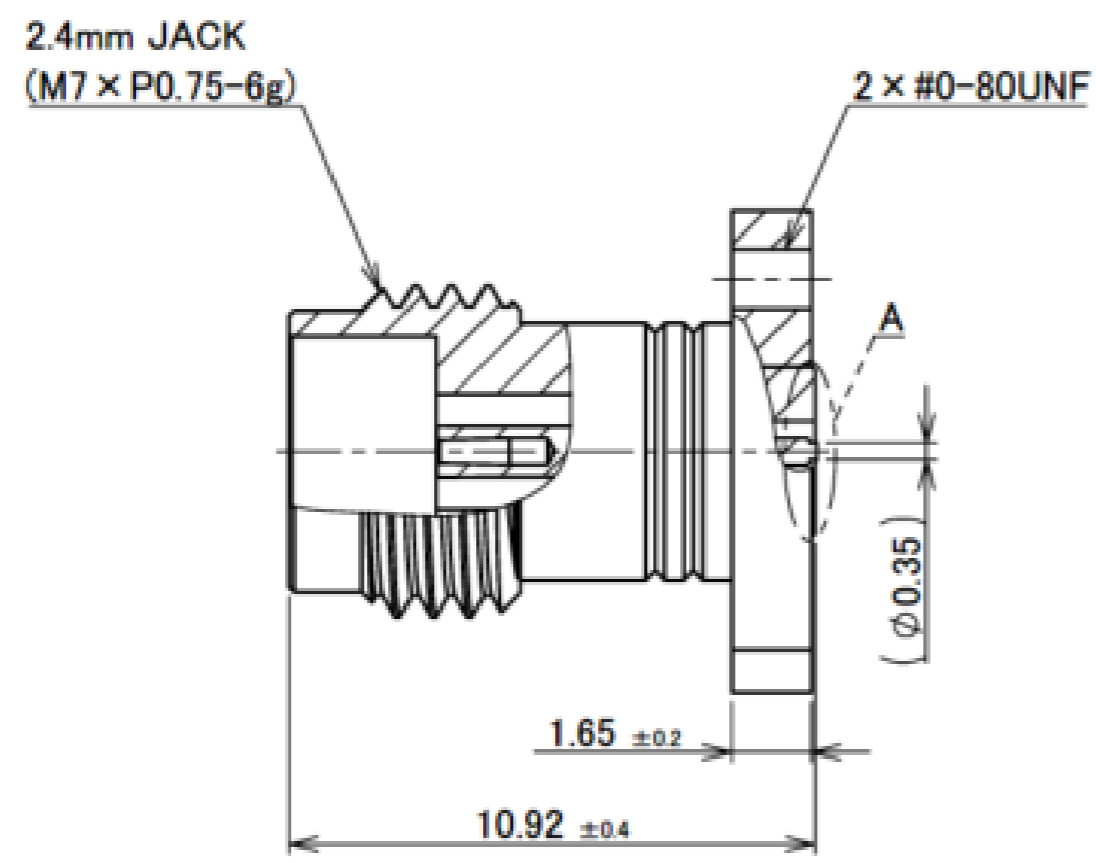
NO.	DESCRIPTION	MATERIAL	FINISH , REMARKS
9	BOLT	SUS	-
8	WASHER	SUS	-
7	BODY-2	BRASS	Ni OVER Cu
6	BOLT	SUS	-
5	WASHER	SUS	-
4	CONTACT PIN	BERYLLIUM COPPER	Au OVER Ni OVER Cu
3	INSULATOR	PTFE	WHITE
2	BODY-1	BRASS	Ni OVER Cu
1	CONNECTOR		-

Rev.1

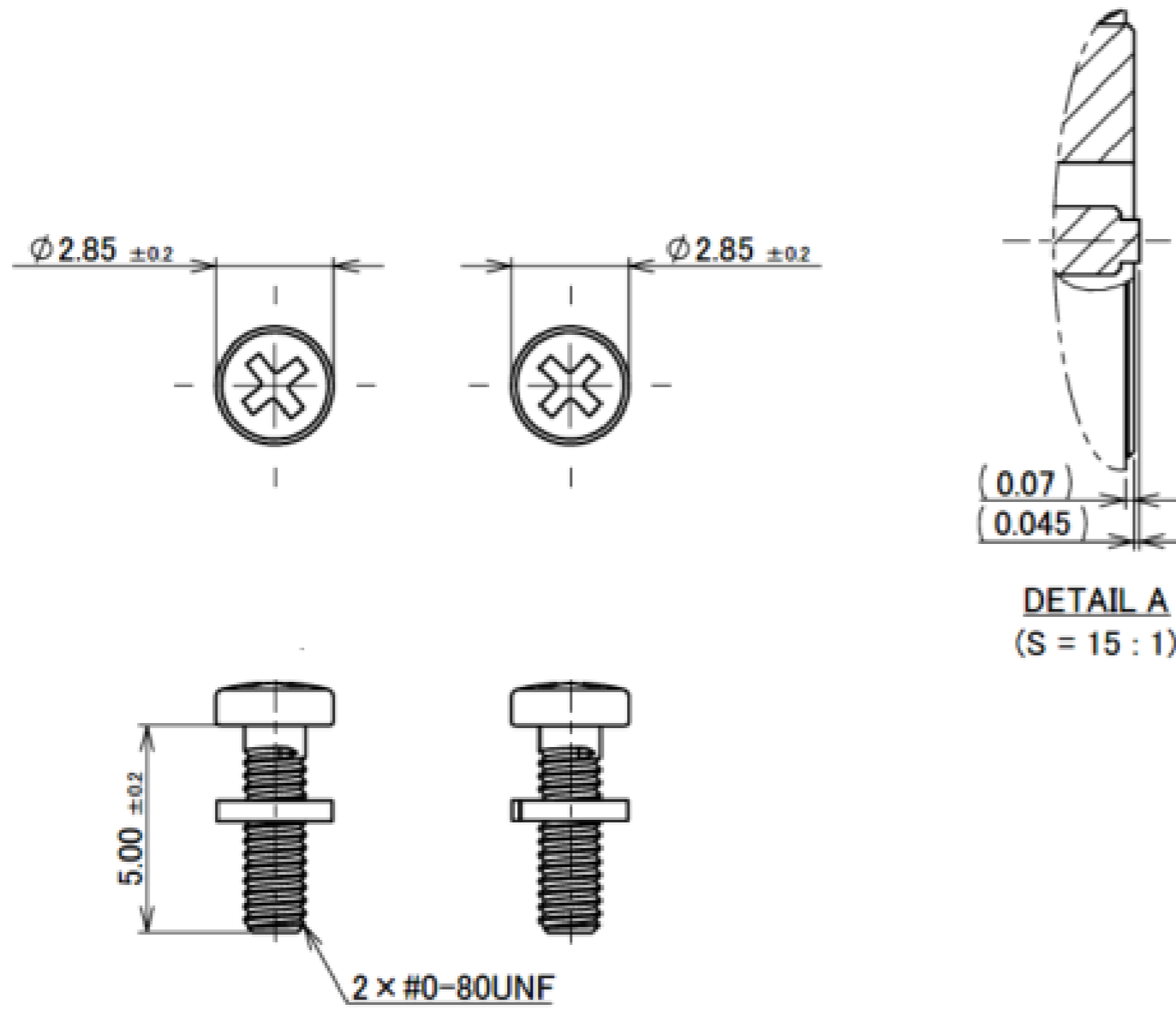
ITEMS	SPECIFICATION	
PART No.	50202-0001	50202-J001
RATING FREQUENCY	DC~50GHz	
VSWR	1.5 MAX. AT DC~50GHz	
INNER CONTACT RESISTANCE	6.0mohm MAX.	
OUTER CONTACT RESISTANCE	2.5mohm MAX.	
INSULATION RESISTANCE	5000Mohm MIN	
DIELECTRIC WITHSTANDING VOLTAGE	AC500V 1min	
DURABILITY	500 CYCLES	
PRODUCT SPECIFICATION	PRS-2707	
PACKING STANDARD	PST-21020	
APPEARANCE CRITERIA No.	QLS-A***	QLS-A***

Rev.1

Recommended P/N	50203-J001
PART NO.	REMARK
50203-J001	INNER LAYER TYPE



RECOMMENDED TOP PCB PATTERN  
PCB: R04003C 8mil



NO.	DESCRIPTION	MATERIAL	FINISH, REMARKS
6	BOLT	SUS	-
5	WASHER	SUS	-
4	BODY	SUS	PASSIVATED
3	INSULATOR	ULTEM 1000	AMBER
2	CONTACT PIN	BERYLLIUM COPPER	Au OVER Ni OVER Cu
1	LOCK RING	BRASS	Ni OVER Cu

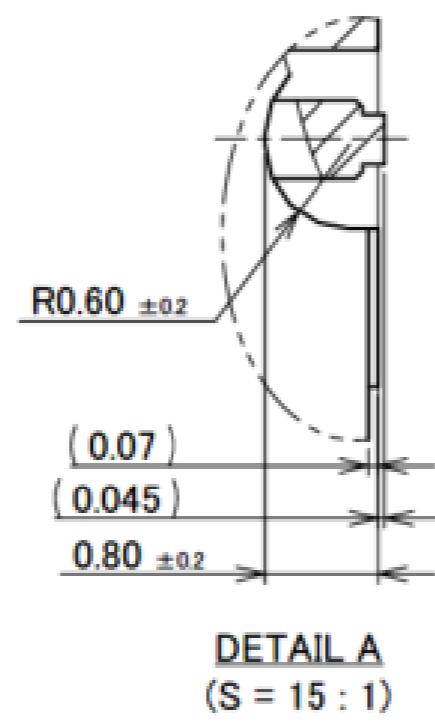
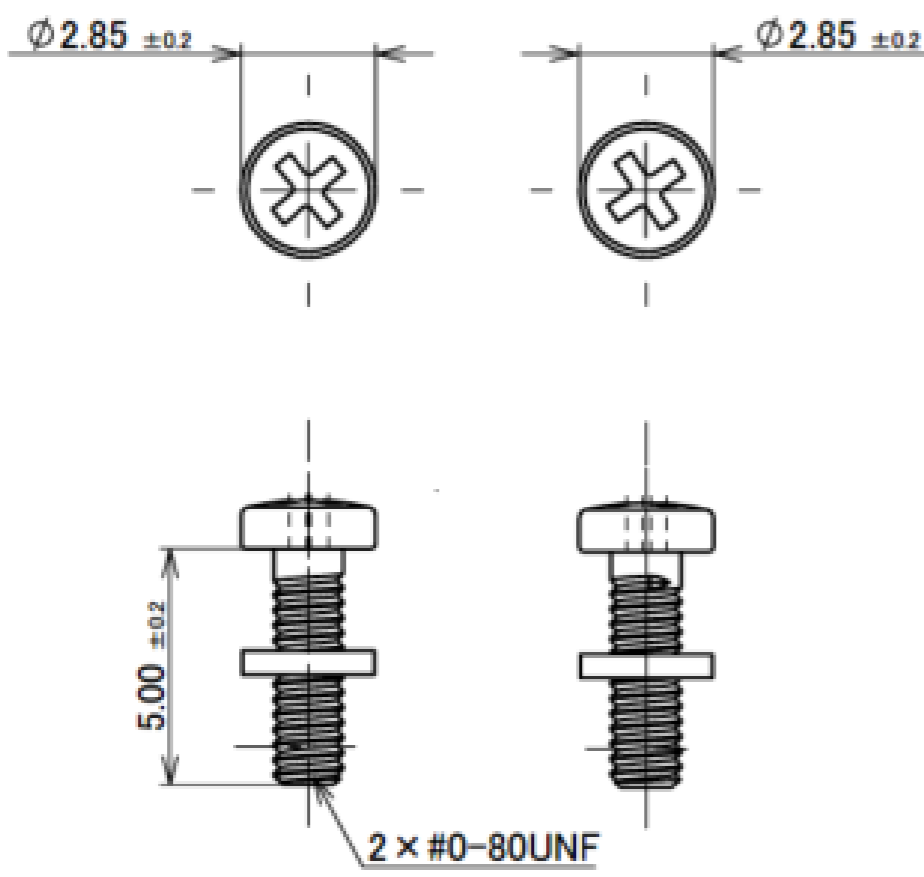
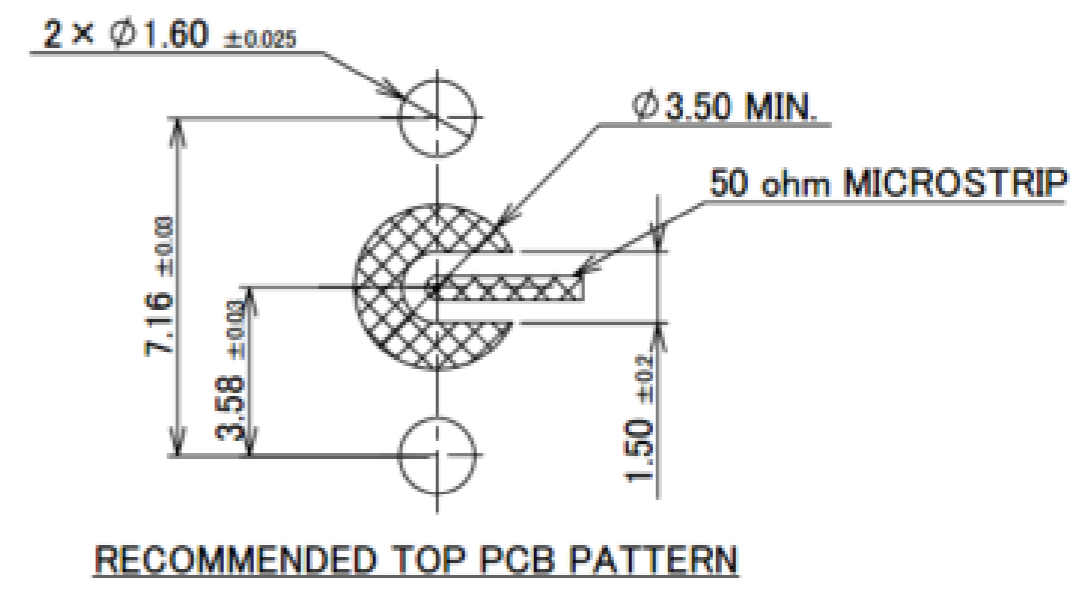
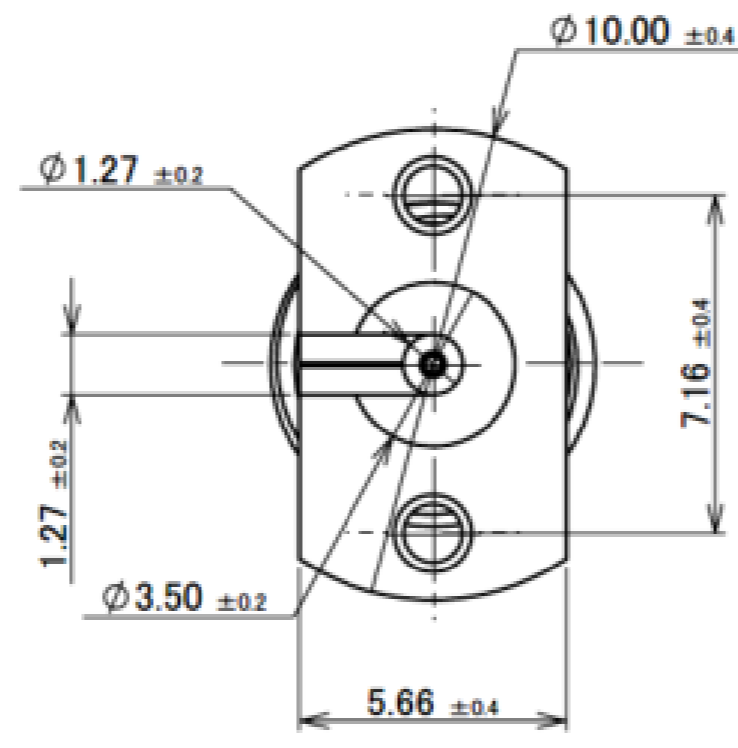
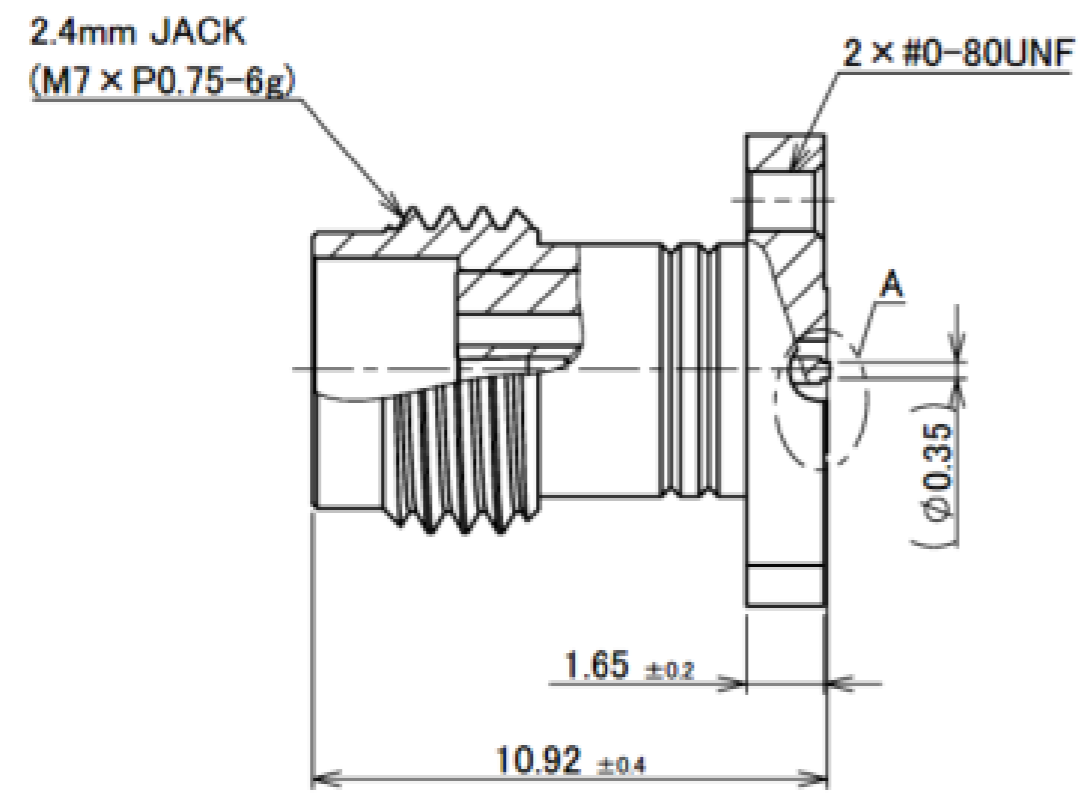
Rev.0

ITEMS	SPECIFICATION
RATING FREQUENCY	DC~50 GHz
VSWR	1.5 MAX. AT DC~50 GHz
INNER CONTACT RESISTANCE	4.0mohm MAX.
OUTER CONTACT RESISTANCE	2.5mohm MAX.
INSULATION RESISTANCE	5000 Mohm MIN.
DIELECTRIC WITHSTANDING VOLTAGE	AC 500 Vrms MIN. 1min
DURABILITY	500 CYCLES
PRODUCT SPECIFICATION	PRS-2708
PACKING STANDARD	PST-21020
APPEARANCE CRITERIA No.	QLS-A***

Rev.0



Recommended P/N	50204-J001
PART NO.	REMARK
50204-J001	OUTER LAYER TYPE



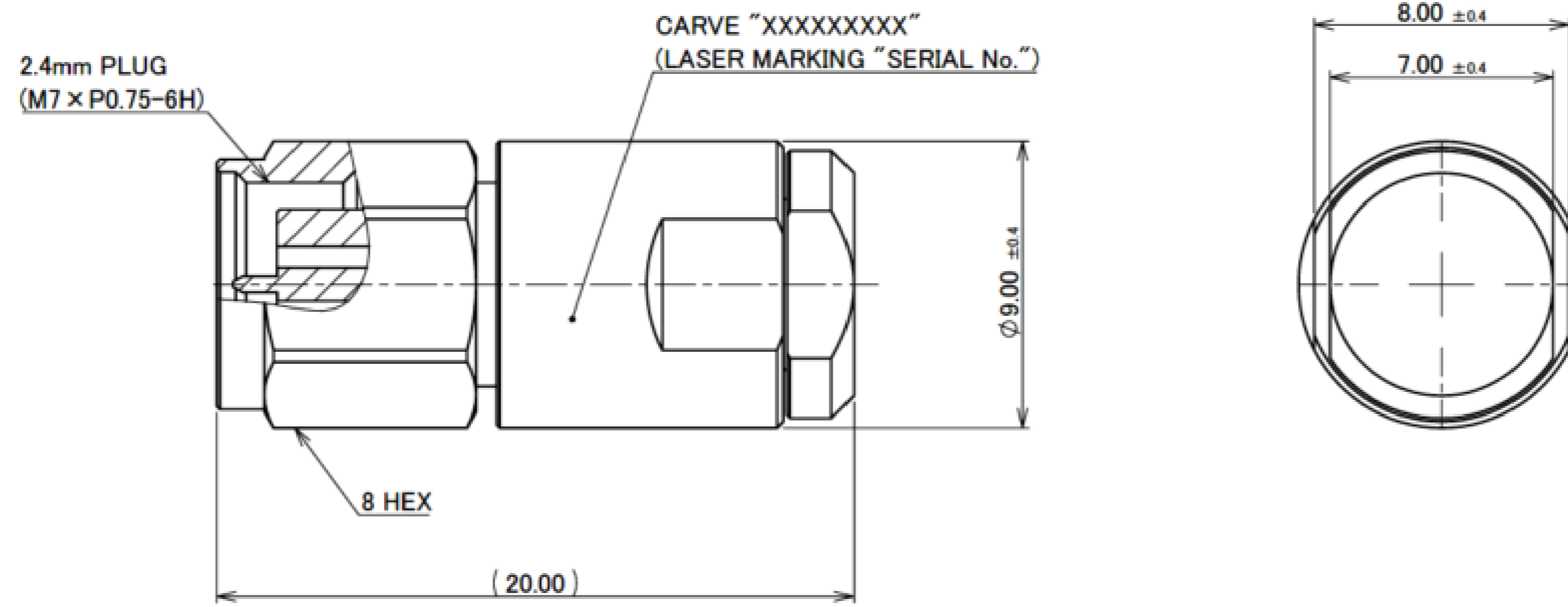
NO.	DESCRIPTION	MATERIAL	FINISH, REMARKS
6	BOLT	SUS	-
5	WASHER	SUS	-
4	LOCK RING	BRASS COPPER	Ni OVER Cu
3	INSULATOR	ULTEM 1000	AMBER
2	CONTACT PIN	BERYLLIUM COPPER	Au OVER Ni OVER Cu
1	BODY	SUS	PASSIVATED

Rev.0

ITEMS	SPECIFICATION
RATING FREQUENCY	DC~50 GHz
VSWR	1.5 MAX. AT DC~50 GHz
INNER CONTACT RESISTANCE	4.0mohm MAX.
OUTER CONTACT RESISTANCE	2.5mohm MAX.
INSULATION RESISTANCE	5000 Mohm MIN.
DIELECTRIC WITHSTANDING VOLTAGE	AC 500 Vrms MIN. 1min
DURABILITY	500 CYCLES
PRODUCT SPECIFICATION	PRS-2709
PACKING STANDARD	PST-21020
APPEARANCE CRITERIA No.	QLS-A***

Rev.0

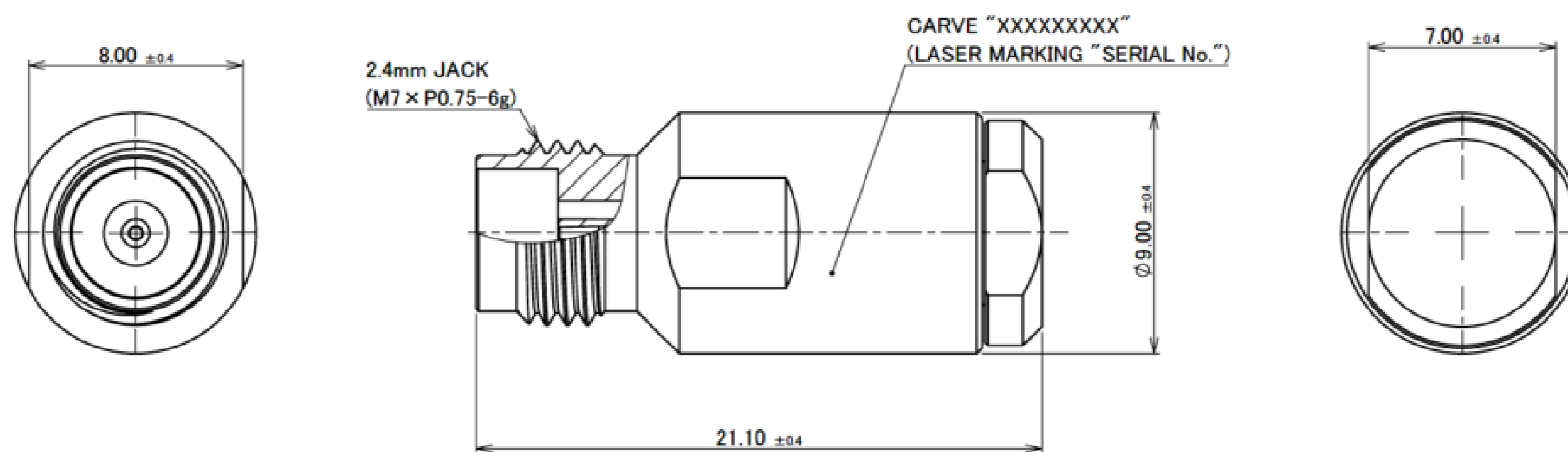
Recommended P/N		50205-0001
PART NO.	REMARK	
50205-0001	PLUG TYPE	



11	NUT	SUS	PASSIVATED
10	BOLT	SUS	PASSIVATED
9	BODY	BRASS	Au OVER Ni OVER Cu
8	RESISTOR	-	-
7	BODY	SUS	PASSIVATED
6	INSULATOR	PEEK	BEIGE
5	CONTACT PIN	BERYLLIUM COPPER	Au OVER Ni OVER Cu
4	SHELL	SUS	PASSIVATED
3	GASKET	SILICONE	RED
2	C RING	BERYLLIUM COPPER	-
1	BODY	SUS	PASSIVATED
NO.	DESCRIPTION	MATERIAL	FINISH , REMARKS

Rev.0

Recommended P/N		50205-J001
PART NO.	REMARK	
50205-J001	JACK TYPE	



8	NUT	SUS	PASSIVATED
7	BOLT	SUS	PASSIVATED
6	BODY	BRASS	Au OVER Ni OVER Cu
5	BODY	SUS	PASSIVATED
4	INSULATOR	PEEK	BEIGE
3	RESISTOR	-	-
2	CONTACT PIN	BERYLLIUM COPPER	Au OVER Ni OVER Cu
1	BODY	SUS	PASSIVATED
NO.	DESCRIPTION	MATERIAL	FINISH , REMARKS

Rev.0

ITEMS	SPECIFICATION	
PART No.	50205-0001	50205-J001
RATING FREQUENCY	DC~50GHz	
RETURN LOSS	-20dB MAX. AT DC~50 GHz	
DURABILITY	500 CYCLES	
PRODUCT SPECIFICATION	PRS-2710	
PACKING STANDARD	PST-21020	
APPEARANCE CRITERIA No.	QLS-A***	QLS-A***

Rev.0

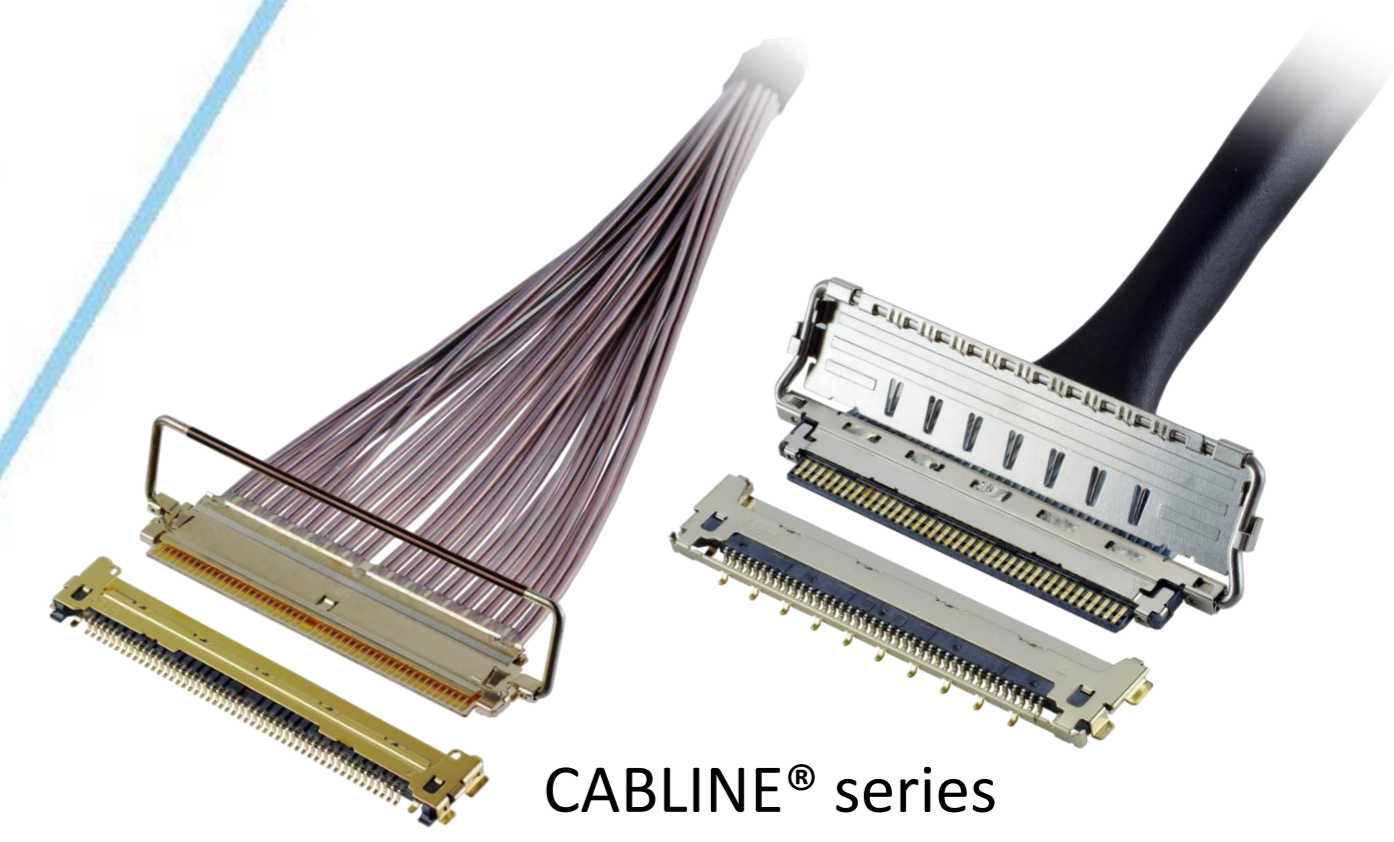
# Custom Products Available

## RF Connector

MHF® series



## Micro-coaxial/Twinax/ Discrete Wire Connector



CABLINE® series

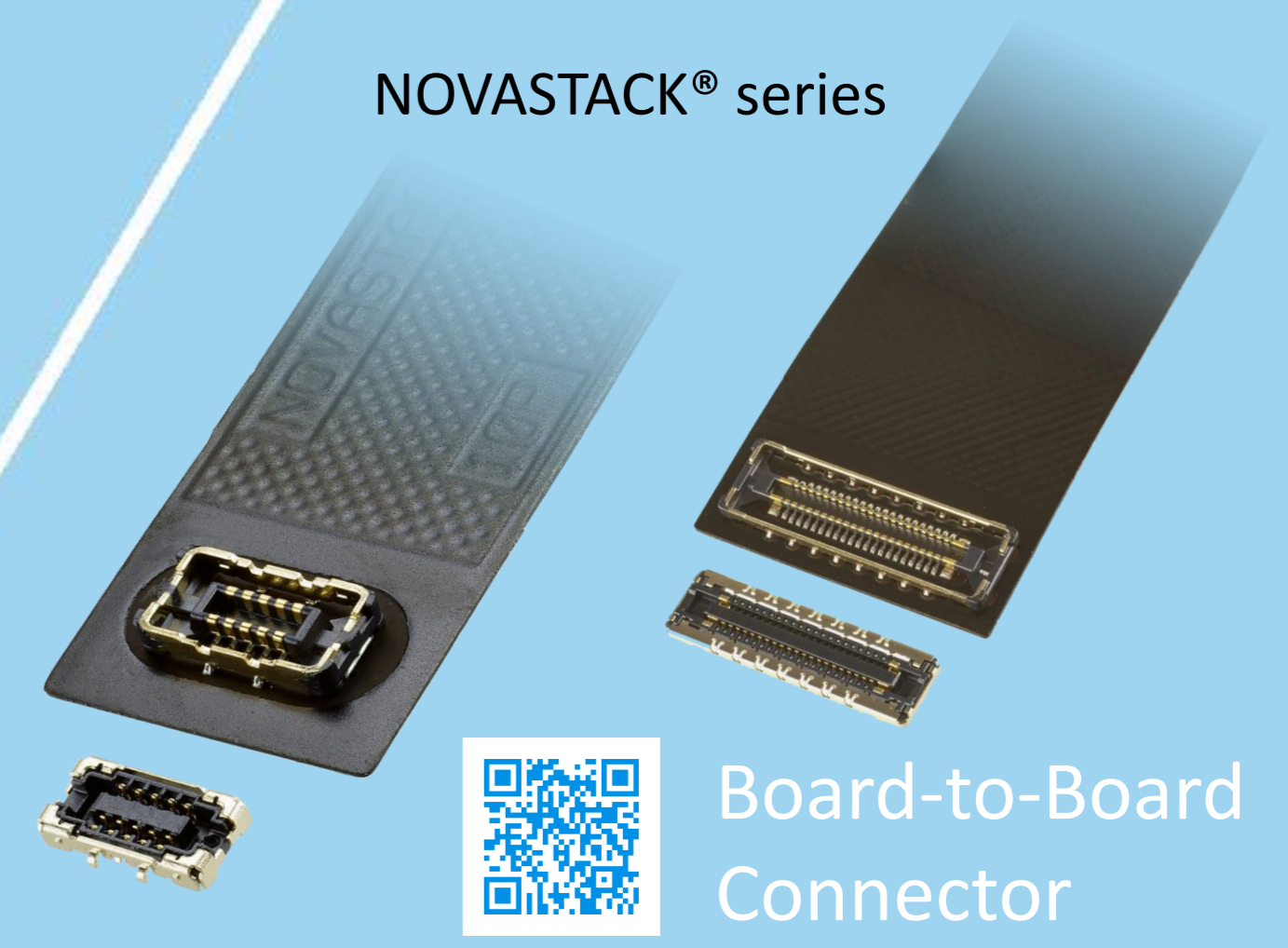


## Optical Module

LIGHTPASS® series



NOVASTACK® series



## Board-to-Board Connector



## Power Connector/ Terminal

AP series

ISH® series



MINIFLEX® series

EVAFLEX® series



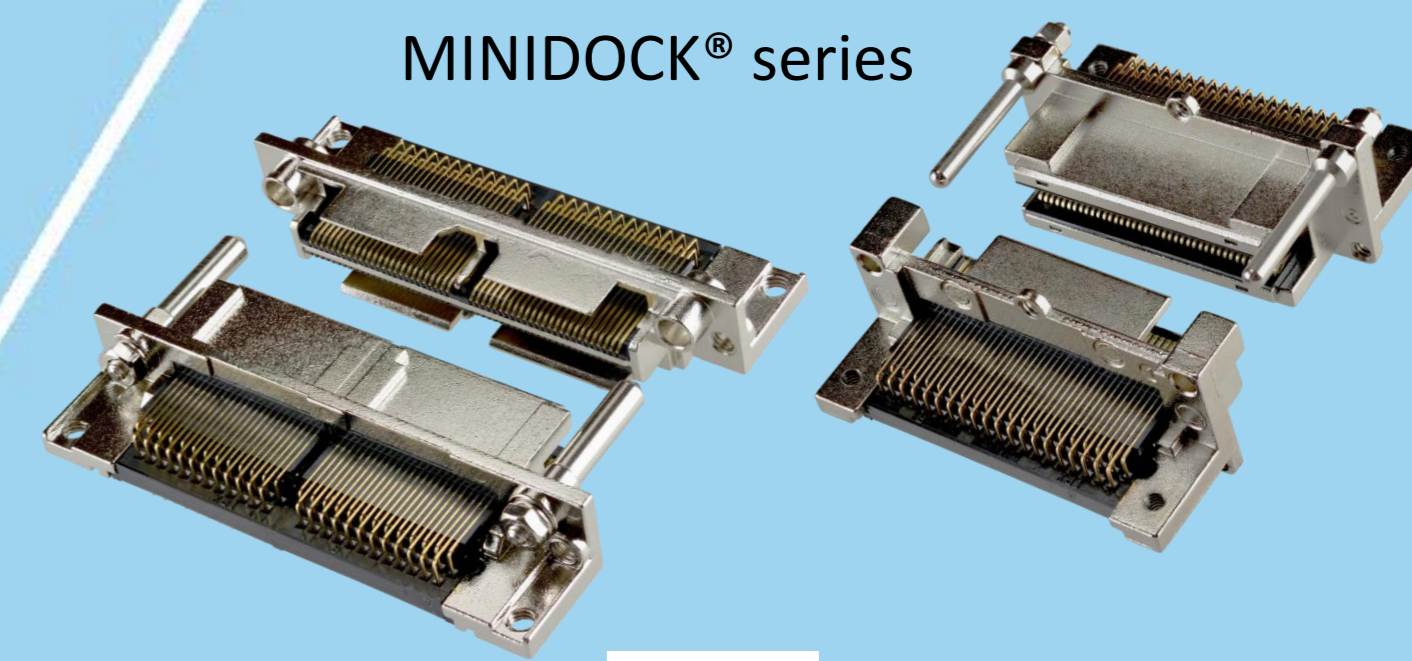
## FPC FFC Connector



Inquiry



MINIDOCK® series



## I/O Connector

I-PEX, MHF, CABLINE, LIGHTPASS, NOVASTACK, ISH, IARPB, MINIFLEX, EVAFLEX, MINIDOCKS and ZenShield are registered trademarks of I-PEX Inc. Please note that the contents in the catalog might be changed without prior notification. I-PEX Inc. assumes no responsibility for any inaccuracies or obligation to update information on these documents. Please be sure to read and understand the latest "Precautions for Use" and "Instruction Manual" before you use our products. We shall not be responsible for any defects, damages or troubles in case you use our products without following the precautions for use. Please feel free to contact our sales representatives when you use our products for any applications that require very high reliability and safety, or that relate to human life (ex. nuclear power control, aerospace, transportation, medical equipment, safety equipment etc.).

Contact your sales representative or more detailed information.

[www.i-pex.com](http://www.i-pex.com)



# I-PEX

© I-PEX Inc. 2024  
All rights reserved